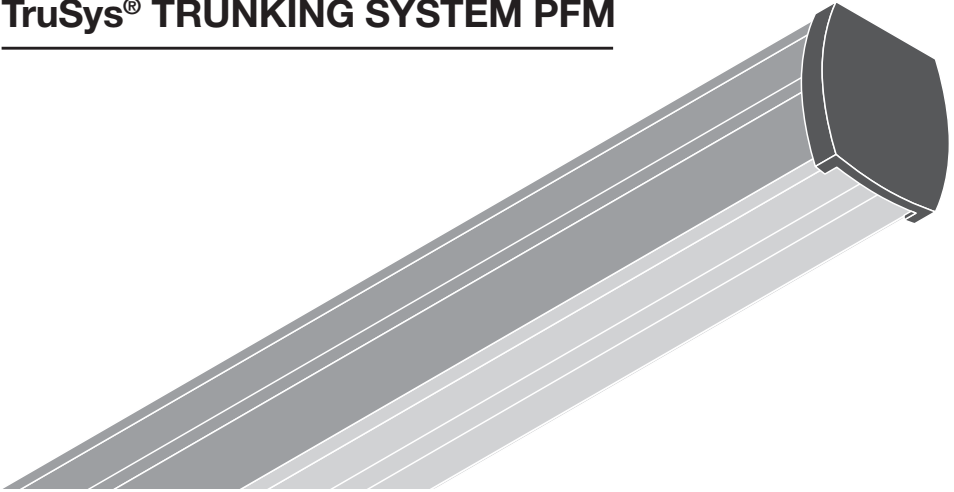
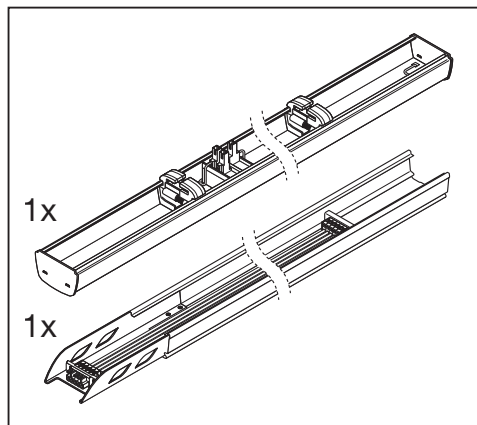


## TruSys® TRUNKING SYSTEM PFM

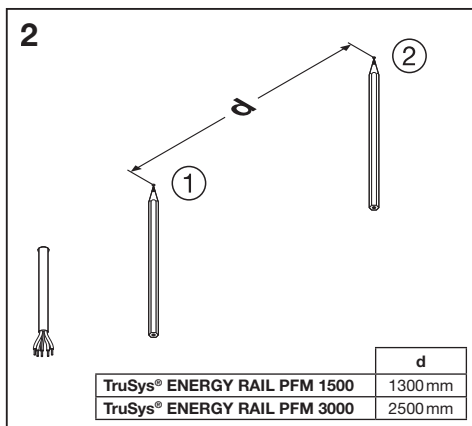
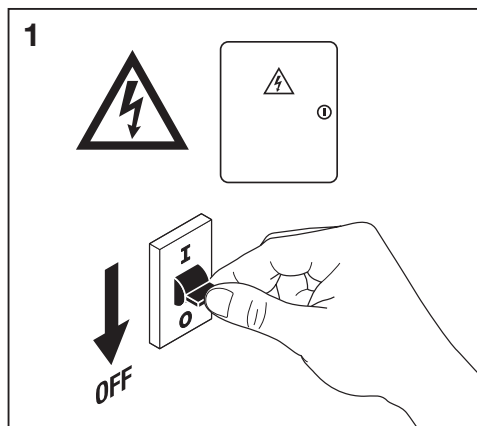
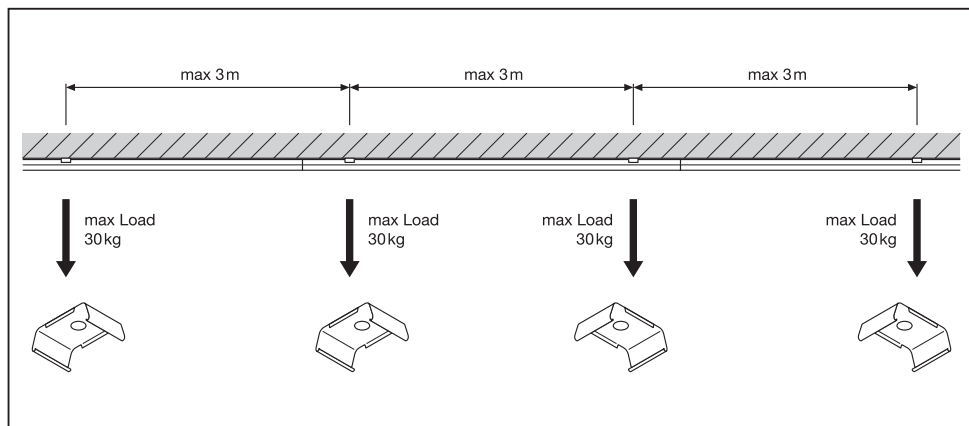
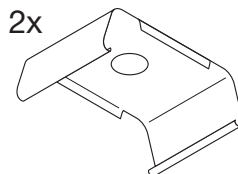


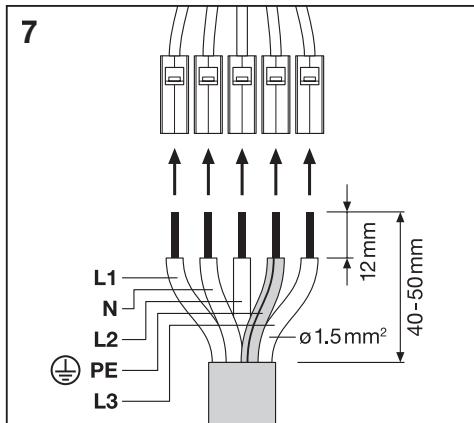
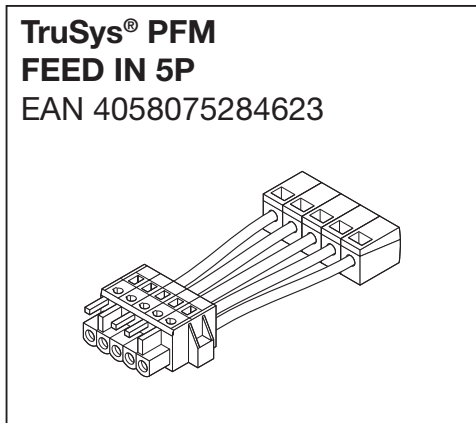
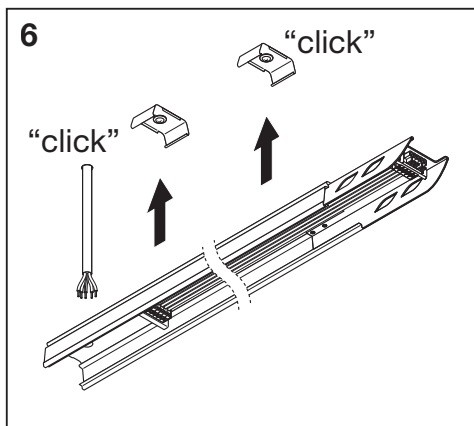
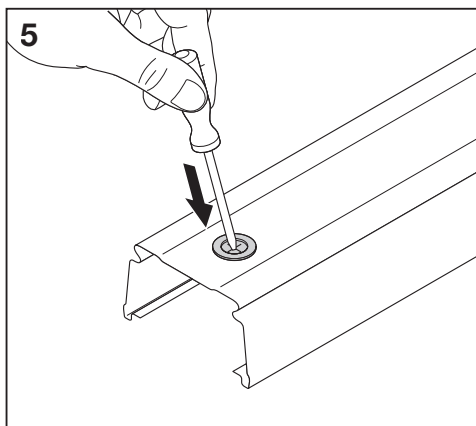
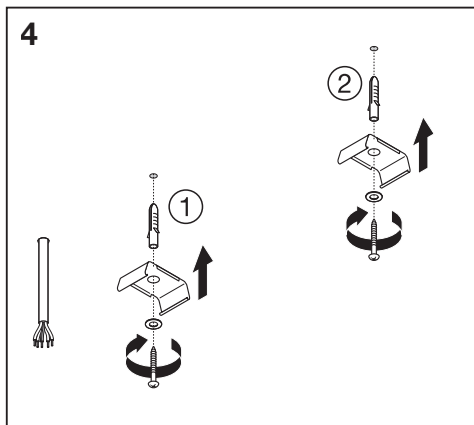
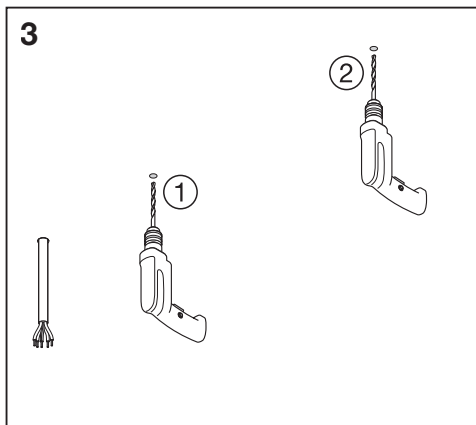
	EAN	l x w x h [mm]	W	VAC	Hz	lm	lm/W
TRUSYS PFM 35W/4000K W	4058075290839	1500x66.8x77.4	35	220-240V	50/60Hz	5600	160
TRUSYS PFM 50W/4000K W	4058075290853	1500x66.8x77.4	50	220-240V	50/60Hz	8000	160
TRUSYS PFM 70W/4000K W	4058075290891	1500x66.8x77.4	70	220-240V	50/60Hz	11200	160
TRUSYS PFM 35W/4000K VW	4058075290921	1500x66.8x77.4	35	220-240V	50/60Hz	5600	160
TRUSYS PFM 50W/4000K N	4058075290945	1500x66.8x77.4	50	220-240V	50/60Hz	8000	160
TRUSYS PFM 70W/4000K N	4058075290969	1500x66.8x77.4	70	220-240V	50/60Hz	11200	160
TRUSYS PFM 70W/4000K VN	4058075290983	1500x66.8x77.4	70	220-240V	50/60Hz	11200	160
TRUSYS PFM ENERGY RAIL 1500 5P 1x	4058075299566	1650x70.2x38.8	-	-	-	-	-
TRUSYS PFM ENERGY RAIL 1500 5P 10x	4058075299443	1650x70.2x38.8	-	-	-	-	-
TRUSYS PFM ENERGY RAIL 1500 5P E 1x	4058075354777	1500x70.2x38.8	-	-	-	-	-
TRUSYS PFM ENERGY RAIL 1500 5P E 10x	4058075299474	1500x70.2x38.8	-	-	-	-	-
TRUSYS PFM ENERGY RAIL 3000 5P 1x	4058075354753	3150x70.2x38.8	-	-	-	-	-
TRUSYS PFM ENERGY RAIL 3000 5P 10x	4058075299498	3150x70.2x38.8	-	-	-	-	-

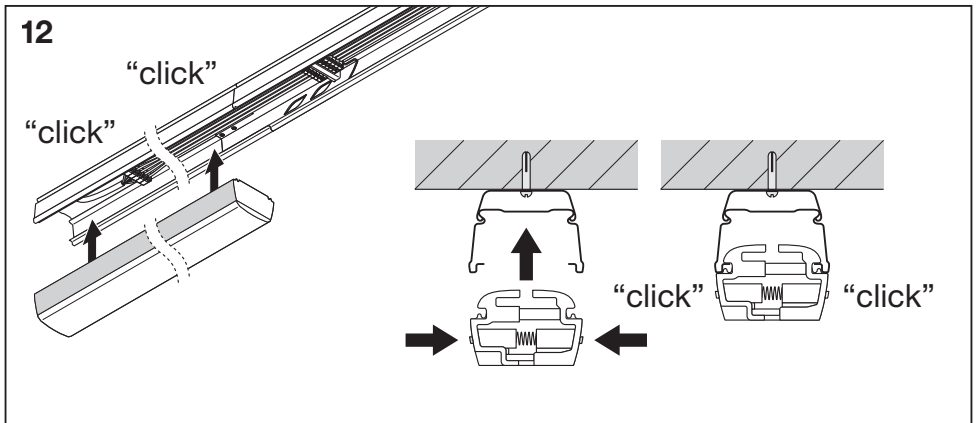
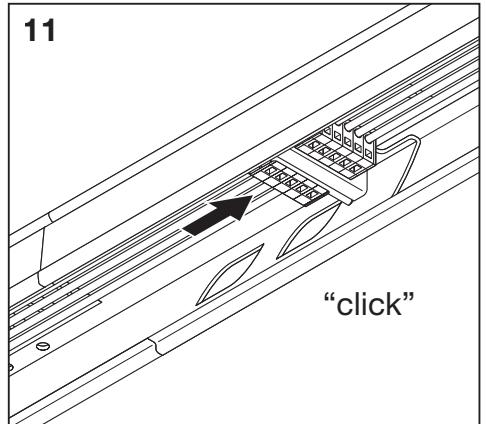
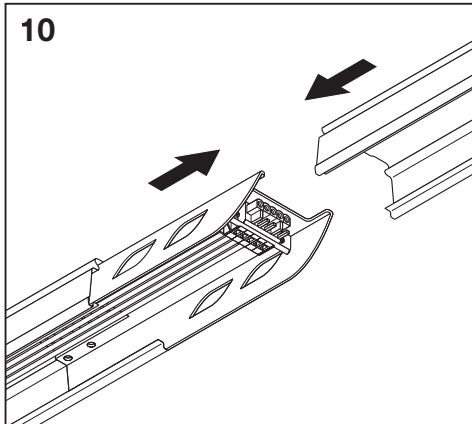
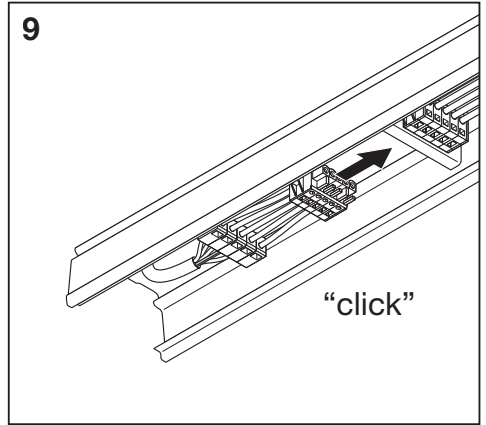
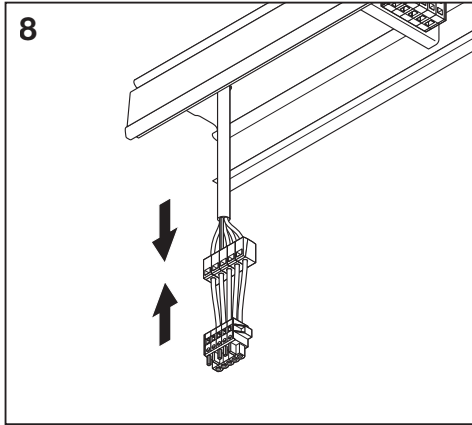
	EAN	K	IP	IK	∇	R <sub>a</sub>	°(°C)	PF	⊙	👤
TRUSYS PFM 35W/4000K W	4058075290839	4000	20	04	90°	≥80	-25...+40	0.95	✓	1.6 kg
TRUSYS PFM 50W/4000K W	4058075290853	4000	20	04	90°	≥80	-25...+40	0.95	✓	1.7 kg
TRUSYS PFM 70W/4000K W	4058075290891	4000	20	04	90°	≥80	-25...+40	0.95	✓	1.7 kg
TRUSYS PFM 35W/4000K VW	4058075290921	4000	20	04	120°	≥80	-25...+40	0.95	✓	1.6 kg
TRUSYS PFM 50W/4000K N	4058075290945	4000	20	04	60°	≥80	-25...+40	0.95	✓	1.7 kg
TRUSYS PFM 70W/4000K N	4058075290969	4000	20	04	60°	≥80	-25...+40	0.95	✓	1.7 kg
TRUSYS PFM 70W/4000K VN	4058075290983	4000	20	04	30°	≥80	-25...+40	0.95	✓	1.7 kg
TRUSYS PFM ENERGY RAIL 1500 5P 1x	4058075299566	-	-	04	-	-	-25...+40	-	-	1.6 kg
TRUSYS PFM ENERGY RAIL 1500 5P 10x	4058075299443	-	-	04	-	-	-25...+40	-	-	1.6 kg
TRUSYS PFM ENERGY RAIL 1500 5P E 1x	4058075354777	-	-	04	-	-	-25...+40	-	-	1.3 kg
TRUSYS PFM ENERGY RAIL 1500 5P E 10x	4058075299474	-	-	04	-	-	-25...+40	-	-	1.3 kg
TRUSYS PFM ENERGY RAIL 3000 5P 1x	4058075354753	-	-	04	-	-	-25...+40	-	-	3.3 kg
TRUSYS PFM ENERGY RAIL 3000 5P 10x	4058075299498	-	-	04	-	-	-25...+40	-	-	3.3 kg



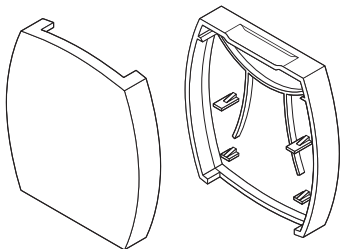
**TruSys® PFM**  
**SURFACE CLIP**  
 EAN 4058075284333



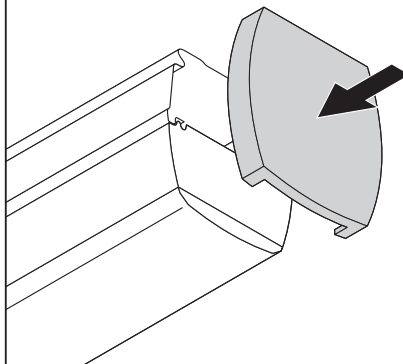




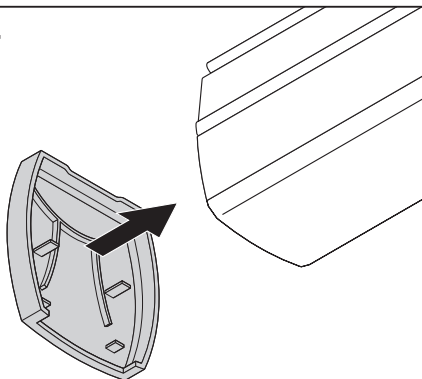
**TruSys® PFM**  
**END CAP ENERGY RAIL**  
EAN 4058075284319



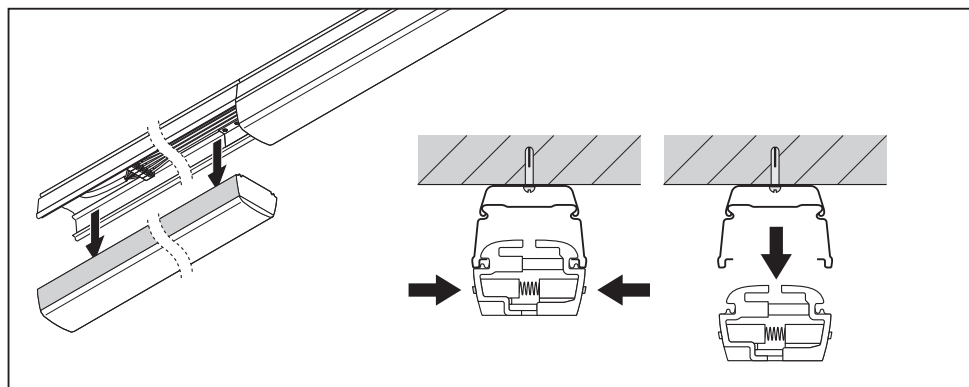
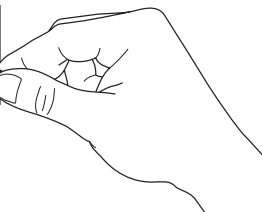
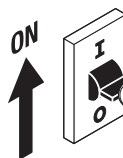
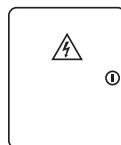
13



14



15

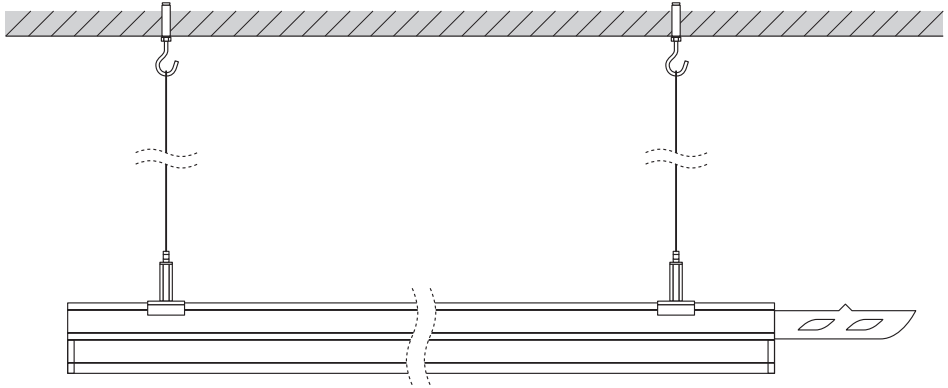
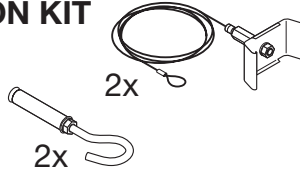


**TruSys® PFM SUSPENSION KIT**

EAN 4058075284234

**TruSys® PFM CHAIN KIT**

EAN 4058075284258

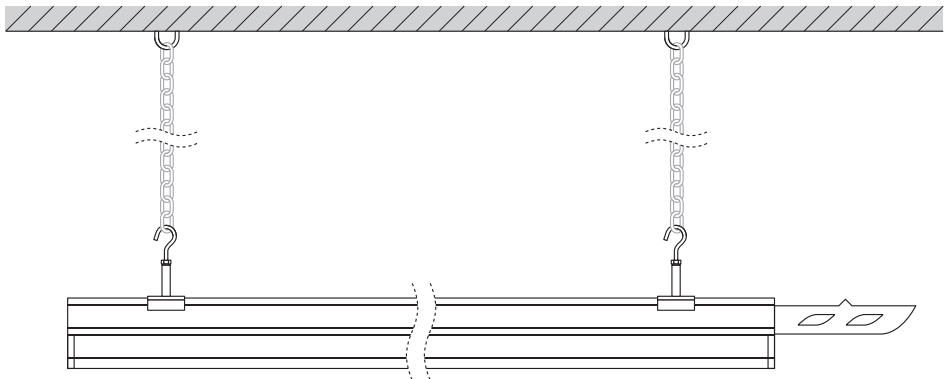
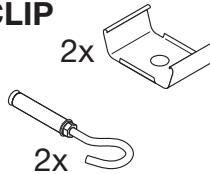


**TruSys® PFM SURFACE CLIP**

EAN 4058075284333

**TruSys® PFM CHAIN KIT**

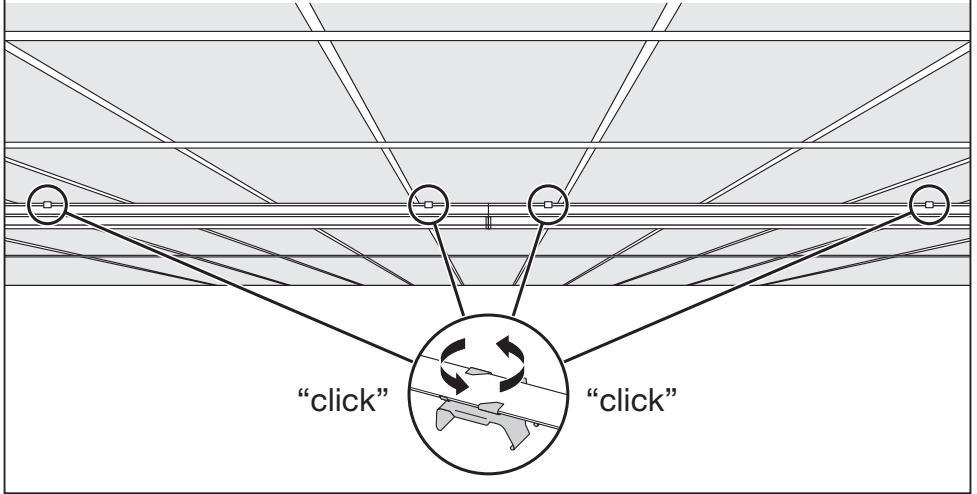
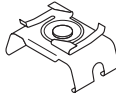
EAN 4058075284258



**TruSys® PFM GRID CEILING CLIP**

EAN 4058075284609

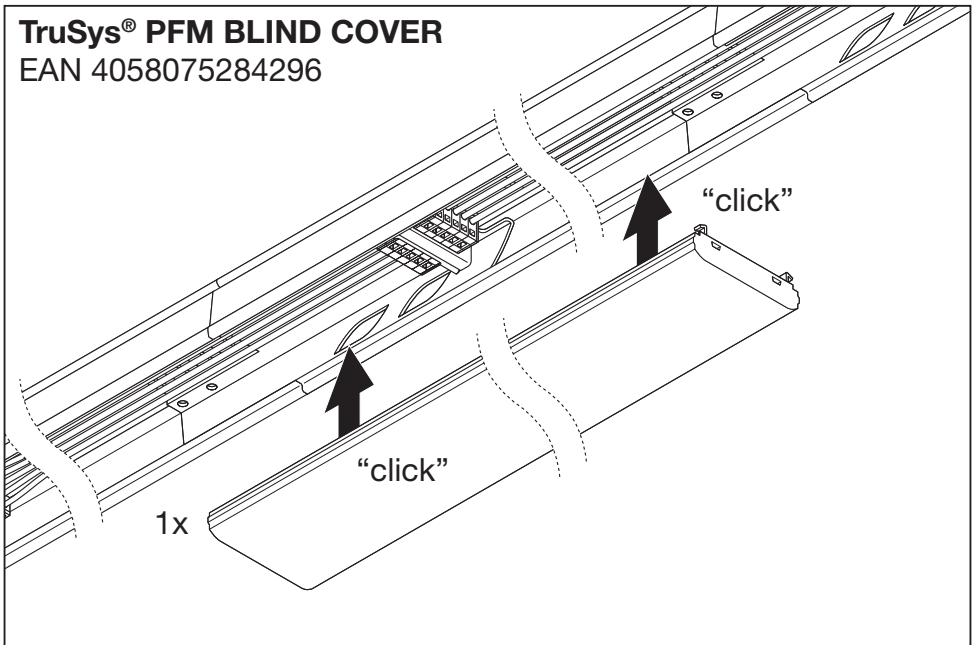
2x

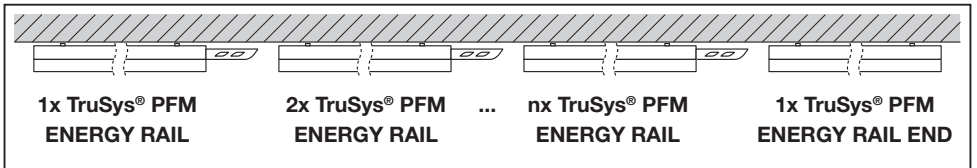
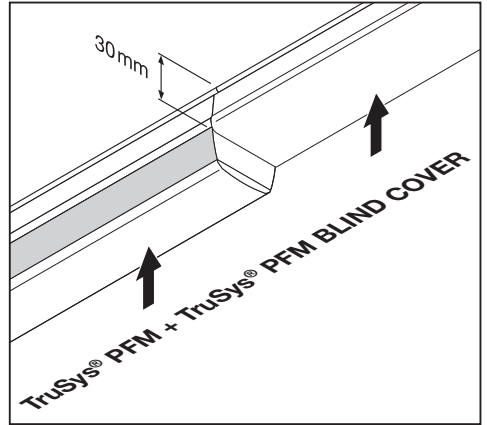
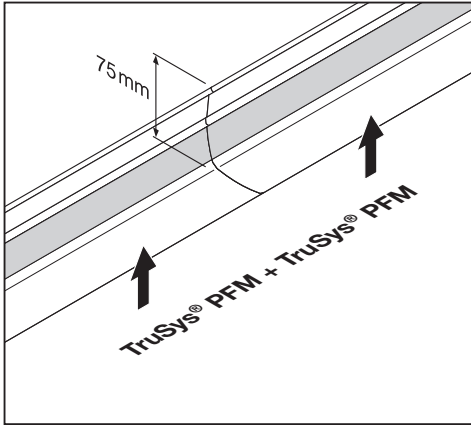


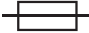
**TruSys® PFM BLIND COVER**

EAN 4058075284296

1x





	C10 A	B16 A	C16 A	Inrush current	Inrush Charge Time Th50
TRUSYS PFM 35W/4000K W	37	31	50	11.1 A	163 μs
TRUSYS PFM 35W/4000K VW					
TRUSYS PFM 50W/4000K W	19	16	25	21.7 A	166 μs
TRUSYS PFM 50W/4000K N					
TRUSYS PFM 70W/4000K W	24	19	31	24.6 A	156 μs
TRUSYS PFM 70W/4000K N					
TRUSYS PFM 70W/4000K VN	24	19	31	29 A	180 μs



C10449058  
G11081816  
23.07.19



LEDVANCE GmbH  
Steinerne Furt 62  
86167 Augsburg, Germany  
[www.ledvance.com](http://www.ledvance.com)